

Collection pipes

- Multiple connections
- Solid-cast in brass
- Key grip



Description

Collection pipe.

Construction

Collection pipe in solid-cast brass. Key grip.

Model 20148

Connection female threads, two 3/4" and two 1/4" plus one male thread 3/4". Spare part to expansion group 148.

Model 20401

Connection female threads, three 3/4" and two opposing 1/4". Spare part to expansion group 149 and 2040.

Model 20411

Connection female threads, one 3/8" one 1/2", three 3/4". Two opposing 1/4", one of which is plugged. One connection with male thread 3/4". Spare part to expansion group 2041.

Model 20441

Connection female threads, one 3/8", two 3/4", two 1". Two opposing 1/4", one of which is plugged alternatively unplugged. Spare part to expansion group 2044.

Maintenance

Collection pipes are normally maintenance-free, but should be inspected periodically.

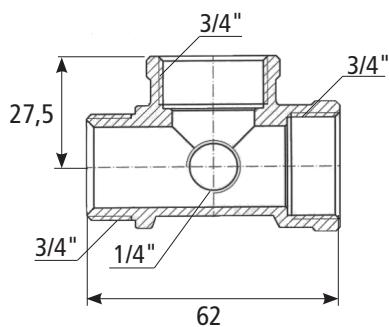
Technical data

Body	Brass CW617N
O-ring	EPDM
Gasket	Red fiber

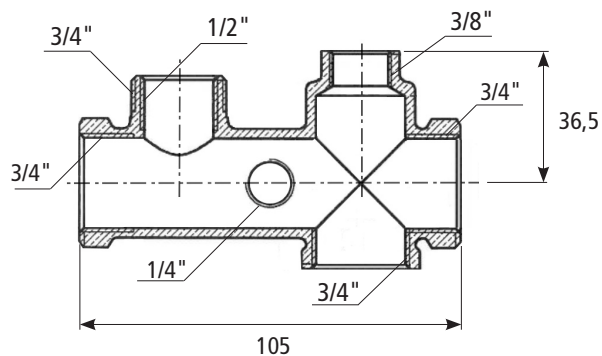
Maximum working pressure: 10 bar
 Maximum working temperature: +100°C
 Minimum working temperature: +2°C

Collection pipes

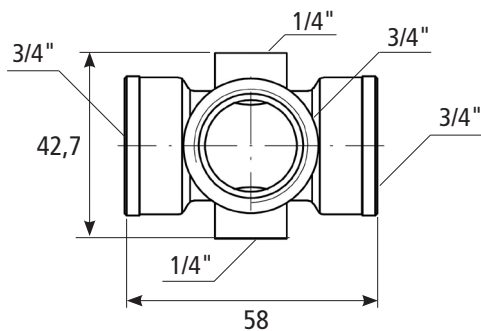
20148



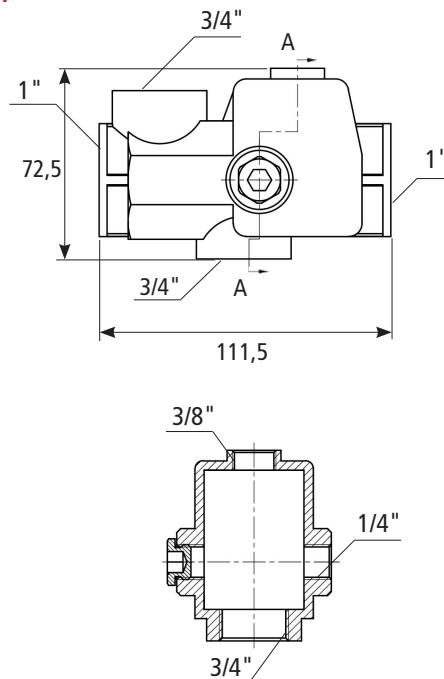
20411



20401



20441



Item number	Description	Connection thread	Length	Height	Weight (kg)
0720523000	Collection pipe 20401, 3/4" F	2x 1/4" F, 3x 3/4" F	58	42,7	0,14

Item number	Description	Connection thread	Length	Centrum height	Weight (kg)
0739900210	Collection pipe 20148, 3/4" M x 3/4" F	2 x 3/4" F, 3/4" M, 2x 1/4" F	62	27,5	0,16

Item number	Description	Connection thread	Length	Centrum height	Weight (kg)
0720525001	Collection pipe 20411, 3/4" F	1/4" F, 3/8" F, 1/2" F, 3/4" F, 3/4" M	105	60	0,20

Item number	Description	Connection thread	Length	Height	Weight (kg)
0720531001	Collection pipe 20441, 1" F	2x 1/4" F, 3/8" F, 2x 3/4" F, 2x 1" F	111,5	72,5	0,65

All dimensions in millimetres

Subject to technical changes and corrections without notice